



INSTALLATION INSTRUCTIONS PREMIUM REMOTE FILTER MOUNT PART # 35709 & 35729

Please read these instructions completely before beginning installation

KIT CONTENTS

QTY.	DESCRIPTION
1	Ports Left/Right Filter Mount
1	Filter Nipple
4	1/4-20 x 3/4" Socket Cap Bolt
4	1/4-20 x 3/8" SS Button Head Bolt
2	-10 AN / 7/8-14 O-ring Aluminum Plug

IMPORTANT

The Filter Mount is machined with -10 AN / 7/8-14 threaded ports & MUST have an O-ring style fitting. Dera offers several Aluminum AN Male Adapter Fittings, please visit www.dera.com or visit your local retailer.
Note: O-ring fittings DO NOT require thread sealant.

TOOLS NEEDED

Open End Wrenches
Allen Wrenches
Oil Filter Wrench

INSTALLATION

The Filter Mounts unique design allows the mount to be rotated 180 degrees for two mounting options. (See Diagram #1)
This will not only allow you to switch the ports IN and OUT locations but with the purchase of, Dera Part #35799 you can add a second Filter Mount inline for a True dual filter configuration.

1. Identify the four 1/4-20 x 3/4" Socket Cap Bolts, Mounting Bracket and Filter Mount.
2. Using an Allen Wrench, attach the Mounting Bracket to the Filter Mount in the desired location.

Note: Loctite or suitable sealant can be used for a permanent application.

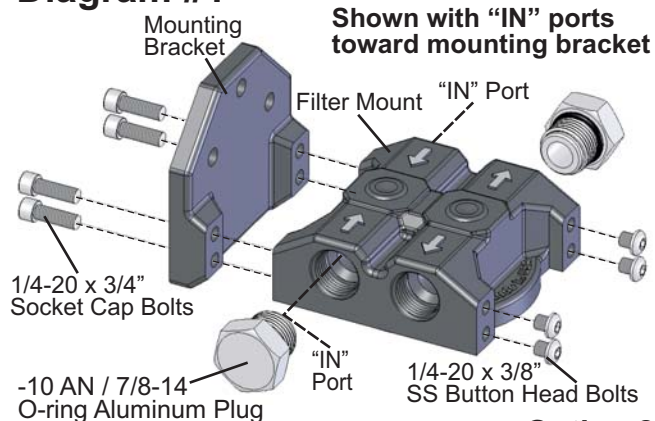
The four mounting holes opposite the mounting bracket can also be used for additional mounting in severe duty installations.

3. Identify the four 1/4-20 x 3/8" SS Button Head Bolts, these are included for aesthetic purposes to plug the holes on the front side of the Filter Mount. They serve no other function. (See Diagram #1)
4. Using an Allen Wrench, attach and tighten.
5. Identify the two -10AN / 7/8-14 O-ring Aluminum Plugs.
6. Once you have determined the IN and the OUT Port that best fits your application, install the two plugs in the unused ports.

Note: The unused ports can be used for the vehicles Sending units, such as Temperature, Pressure, etc.

7. Identify the supplied Filter Nipple.
8. Carefully thread the nipple clockwise onto the Filter Mount until it completely bottoms out. (See Diagram #2)
9. Install the Oil Filter onto the Filter Mount.

Diagram #1

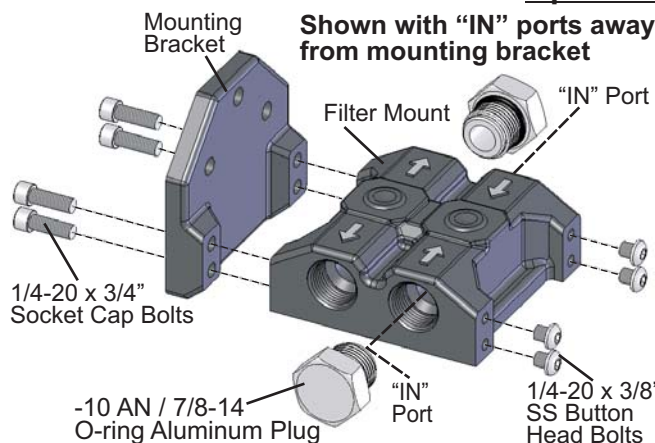


Option 1

Shown with "IN" ports toward mounting bracket

Option 2

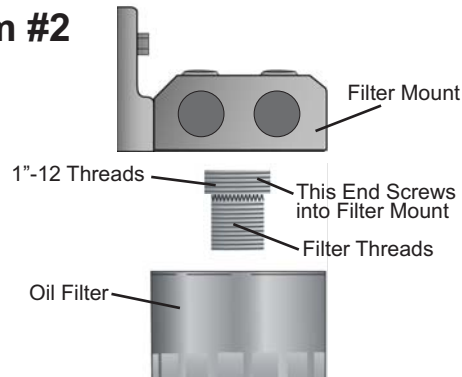
Shown with "IN" ports away from mounting bracket



Reference chart below for oil filter options

PART #	THREADS	FRAM	FRAM
		STANDARD	HI-PERFORMANCE
35709	3/4-16	PH8A	HP1
35729	13/16-16	PH13	HP4

Diagram #2



Warning: Installation of accessories should only be undertaken by those with mechanical knowledge and are familiar with working on vehicles. Always use eye protection (goggles, safety glasses or shield). Park the vehicle in a well lit area, on level ground and apply the parking brake. Only work on a cold vehicle that has been sitting overnight, failure to do so will result in severe burns and injury. Before starting the vehicle, make sure no tools or any other items are left under hood that could interfere with or be drawn into moving parts of the engine. Failure to follow instructions can lead to severe damage and personal injury.